

# INSTALLATION INSTRUCTIONS – SINGLE and DOUBLE HINGED SCREEN DOOR ON 1-3/4" & 2-1/4" ALUMINUM CLAD HINGED DOORS

**IMPORTANT:** Please read before you begin.

<b>Tools Required:</b>	Square	<b>Materials Included with Hinged Screen Door:</b>
Phillips Screwdriver	Hack Saw	Z-bar Frame
Straight Screwdriver	Measuring Tape	Door Hardware Kit
Pencil	Center Punch	
Hammer	Electric Drill with 3/32", 3/16" & 5/16" Drill Bits	
Level		

## For Single Hinged Screen Door (FIGURE 1)

1. Make sure the existing door opening is plumb, level and square.
2. At the top of the door opening, center the head Z-bar frame. Pre-drill through all installation holes, through Z-bar back wall, and into aluminum frame with a 3/16" drill bit. Fasten the head Z-bar to the existing trim through the holes just drilled. Use #8 x 2-1/2" panhead color-matched sheet metal screws (FIGURES 2 & 3).
3. Measure the door frame opening height from the bottom of the installed head Z-bar frame to the sill where the new single screen door will be mounted. Transfer the measurement to both screen door Z-bar side frames and cut the bottoms to length. Cut the Z-bar frame bottoms to match the slope of the existing sill.
4. Place the screen door into the opening. Check to ensure there is 1/8"-5/32" clearance between the latch Z-bar frame and screen door stile (FIGURE 4).
5. Close door and recheck latch Z-bar frame to door clearance. Make any adjustments needed. Drill 3/16" pilot holes through all installation holes, through Z-bar back wall, and into aluminum frame. Fasten hinge side Z-bar frame to existing trim using these anchor holes. Fasten with #8 x 2-1/2" color-matched panhead sheet metal screws. In a similar manner, drill and attach latch side Z-bar frame using anchor holes labeled (D in FIGURE 1). Make sure to maintain proper Z-bar frame to door clearance.
6. Holding the screen door open to 90 degrees (FIGURES 5 & 6), fasten Z-bar frame at hinge points to existing side jamb using #8 x 3/4" color-matched screws.
7. Refer to Wright Products Installation Instructions for hardware installation. Two closers are provided in the hardware kit. It is **IMPORTANT** to use both closers.

**IMPORTANT:** Be sure latch will not hit against the inside door knob before drilling 5/16" hardware holes.

## For Double Hinged Screen Door (FIGURE 6)

1. Make sure the existing door opening is plumb, level and square.
2. On the astragal side, replace shipping screws with #8 x 3/4" color-matched panhead sheet metal screws.
3. At the top of the door opening, center the head Z-bar frame. Pre-drill through all installation holes, through Z-bar back wall, and into aluminum frame with a 3/16" drill bit (FIGURE 2). Fasten the head Z-bar to the existing trim through the holes just drilled. Use #8 x 2-1/2" panhead color-matched sheet metal screws (FIGURE 3).
4. Measure the door frame opening height from the bottom of the installed head Z-bar frame to the sill where the new double screen door will be mounted. Transfer the measurement to both screen door Z-bar side frames and cut the bottoms to length. Cut the Z-bar frame bottoms to match the slope of the existing sill.
5. Place both screen doors into the opening. Check to ensure 1/8"-3/16" clearance is maintained between the door stiles and the astragal (FIGURE 8).
6. Close door and recheck clearance between doors. Make any adjustments. Drill 3/16" pilot holes through all installation holes, through Z-bar back wall, and into aluminum frame. Fasten hinged Z-bar to existing trim using anchor holes labeled (C in FIGURE 7). Fasten with #8 x 2-1/2" color-matched panhead sheet metal screws (FIGURE 4).
7. Install one door at a time. Holding the screen door open to 90 degrees, fasten Z-bar frame at hinge points to existing side jamb using #8 x 3/4" color-matched screws (FIGURE 6).

*Continued on reverse side.*

FIGURE 1

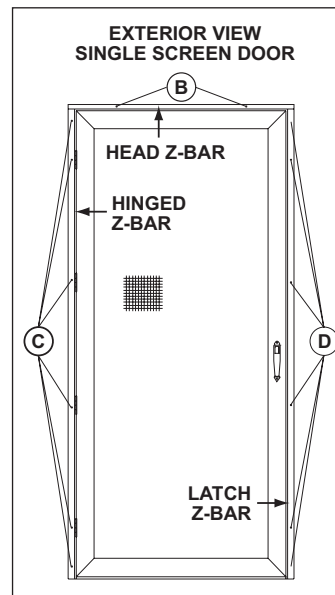


FIGURE 2

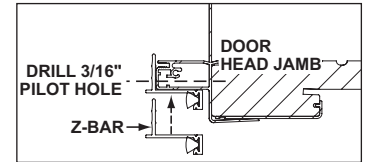


FIGURE 3

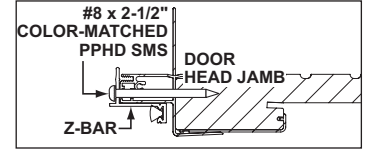


FIGURE 4

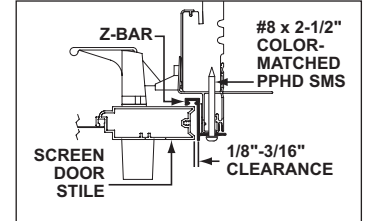


FIGURE 5

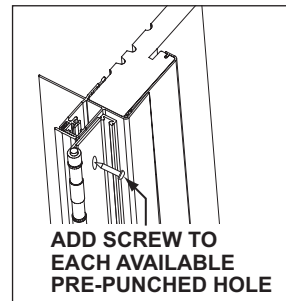


FIGURE 6

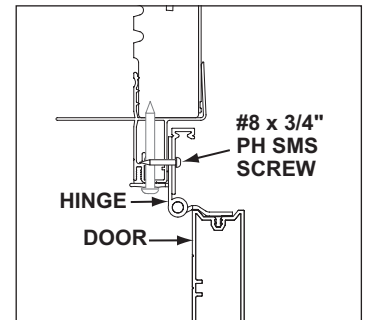


FIGURE 7

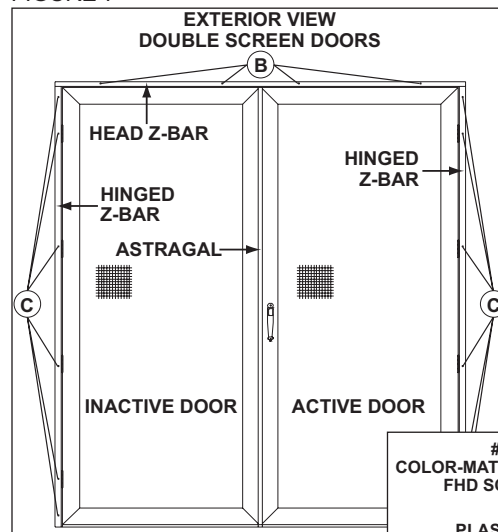
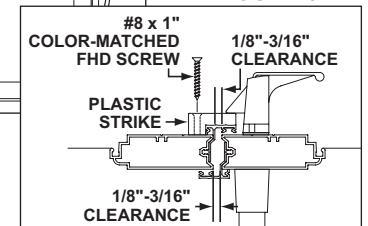


FIGURE 8



## Double Hinged Screen Doors (cont.)

8. Refer to Wright Products Installation Instructions for hardware installation. Two closers are provided in the hardware kit. It is **IMPORTANT** to use both closers. Both closers will be installed on the active door only. Two safety chains are provided in the hardware kit. It is **IMPORTANT** to use one safety chain on the active door and one safety chain on the inactive door.

**CAUTION** Be sure latch will not hit against the inside door knob before drilling 5/16" hardware holes. In order to use drill template provided, loosen astragal screws on the active door and slide template under astragal. Retighten astragal when drilling is completed.

9. If the Deluxe Brass Hardware Kit is provided, the astragal strike plate template must be used to locate the strike plate. The astragal strike plate template must be centered with the interior latch. Fasten astragal strike plate to astragal using #6 x 1/4" panhead sheet metal screw painted to match the hardware.

If the Standard Painted Hardware Kit is provided, plastic strike (**FIGURE 9**) must be centered with the interior latch. Close both doors and fasten plastic strike to interior of **inactive** door with #8 x 1" flathead self-tapping color-matched screws (**FIGURE 10**).

10. Install secondary pusher locks (**FIGURE 11**). Use (4) predrilled holes at head and sill of inactive door. Attach secondary pusher locks to interior of inactive door with #8 x 1" flathead self tapping color-matched screws.

Install the secondary pusher lock keepers (**FIGURE 12**). With the notch towards the screen door, place the secondary pusher lock keeper on the secondary pusher lock and activate the lock. Close both screen doors. Mark the head and sill secondary pusher lock keeper location onto the existing door opening. Open screen doors. Attach secondary pusher lock keeper to the head and sill of the existing door opening. Use #8 x 1" flathead self-tapping color-matched screws.

FIGURE 9



FIGURE 10

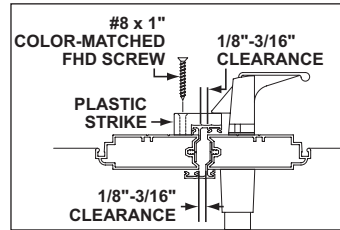


FIGURE 11

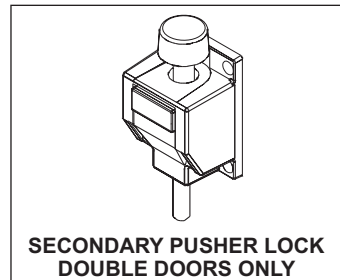


FIGURE 12

